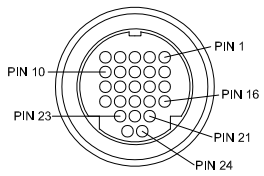
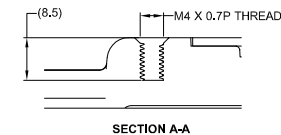
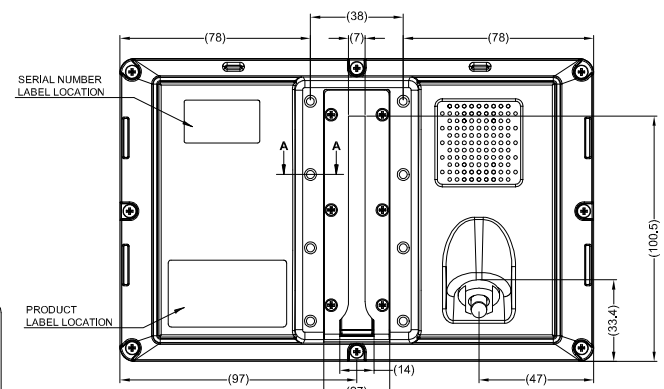
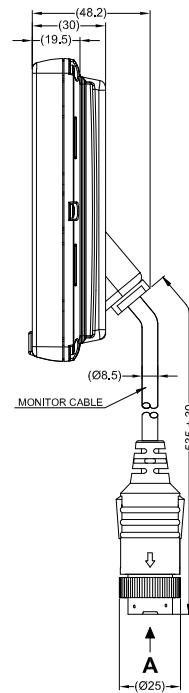
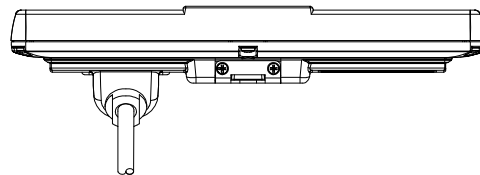
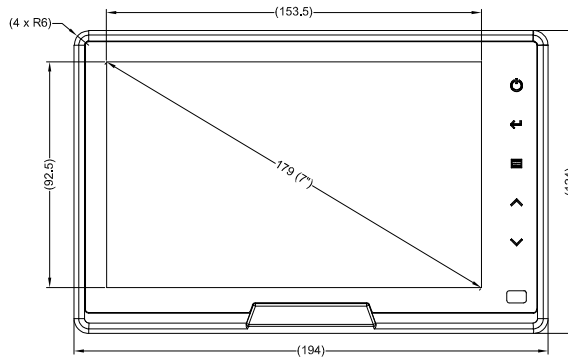
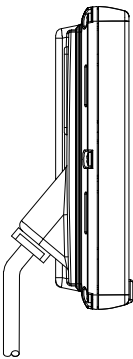
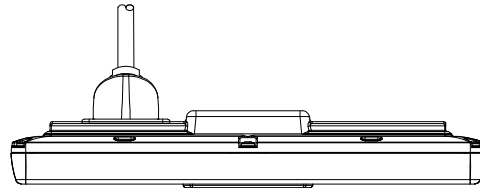


VIEW A



25 PIN DIN
MALE MATING FACE

PIN #	WIRE COLOUR	DESCRIPTION
1	RED	+10-30VDC
2	BROWN/WHITE	TRIGGER 2
3	YELLOW/BLACK	TRIGGER 5
4	L-PURPLE/BLACK	CA4/CA3 +12VDC
5	BLACK	GROUND
6	WHITE	CA2 +12VDC
7	BLUE/WHITE	TRIGGER 1
8	ORANGE/BLACK	TRIGGER 4
9	PINK/BLACK	CA1 ADD.FUNCTION
10	L-GREEN/BLACK	CA2 ADD.FUNCTION
11	ORANGE	AUX VIDEO OUT
12	PURPLE/WHITE	SPEED PULSE
13	L-BLUE/BLACK	CA1 +12VDC
14	GRAY/BLACK	NO CONNECTION
15	GREEN/BLACK	TRIGGER 3
16	RED (SHIELD)	CA3 AUDIO
17	BROWN (SHIELD)	CA2 VIDEO
18	BLUE (SHIELD)	CA2 AUDIO
19	L-GREEN (SHIELD)	CA1 VIDEO
20	PURPLE (SHIELD)	CA1 AUDIO
21	WHITE (SHIELD)	CA3 VIDEO
22	GRAY (SHIELD)	CA4 VIDEO
23	GREEN (SHIELD)	CA4 AUDIO
24	BLACK (SHIELD)	AUX AUDIO IN
25	YELLOW (SHIELD)	AUX VIDEO IN
26	CASING (SHIELD)	GROUND



SERIAL NUMBER LABEL LOCATION

PRODUCT LABEL LOCATION

MONITOR CABLE

SECTION A-A

Revision Notes.				
-				
APA: -	Drawn:-	Checked:-	Approved:-	Date: -

CHANGES FROM BASE PRODUCT BE-970WFM-M (4085) TO BE-970WFM-M(NPL) (6010)

- CHANGE:
1. WHITE SILKSCREEN BRIGADE LOGO REMOVED.
 2. BE-970WFM-M PD-LBL REPLACED WITH BE-970WFM-M(NPL) PD-LBL.
 3. FIRMWARE VERSION: "1.2" REPLACED WITH "ECL-750QWP_NPL_MP2.1a".

- OPERATION:
1. BRIGADE LOGO REMOVED FROM SPLASH SCREEN.

NOTES:

1. REFER TO PRODUCT SPECIFICATIONS FOR MORE DETAILS.
2. BRACKET SCREWS TO BE TIGHTENED TO 0.98 NEWTON METRES.
3. PCB LEVEL: MAINBOARD PCB: 5PRES0931LF-02 REV-1.2; KEY BD 5PRES0932LF-00 REV 1.1.
4. FIRMWARE VERSION: ECL-750QWP_NPL_MP2.1a - CHECKSUM NO. 0E0B TO BE PRE-LOADED DURING MANUFACTURE.
5. FOR PRODUCT LABEL AND PACKAGING DETAILS REFER TO MASTER BOM.

PROPRIETARY NOTICE

THIS DESIGN AND TECHNICAL INFORMATION APPEARING ON THIS DRAWING IS THE PROPERTY OF BRIGADE ELECTRONICS, AND IS DISCLOSED IN CONFIDENCE. IT IS NOT TO BE COPIED, REPRODUCED, REVEALED TO OR EXPROPRIATED BY OTHERS, EITHER IN WHOLE OR IN PART WITHOUT THE EXPRESS WRITTEN CONSENT OF BRIGADE ELECTRONICS.

BRIGADE[®]
www.brigade-electronics.com

Assembly Pl Approval T. CHOI	Approved by B. CHILDS	Checked by J. TYRRELL	Drawn by A. FOSTER
Angle of Projection 	Units mm	Scale N/A	Released 18/12/19
	Status RELEASED	BE-970WFM-M(NPL)	
	Part No 6010	BE-004278-00-19	